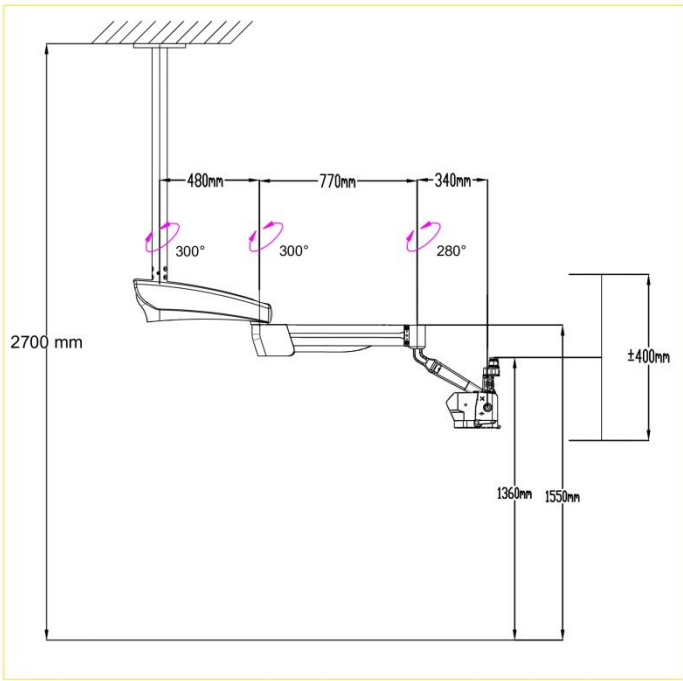




Surgical operating Microscope - ENT  
Model: Lumin Pro



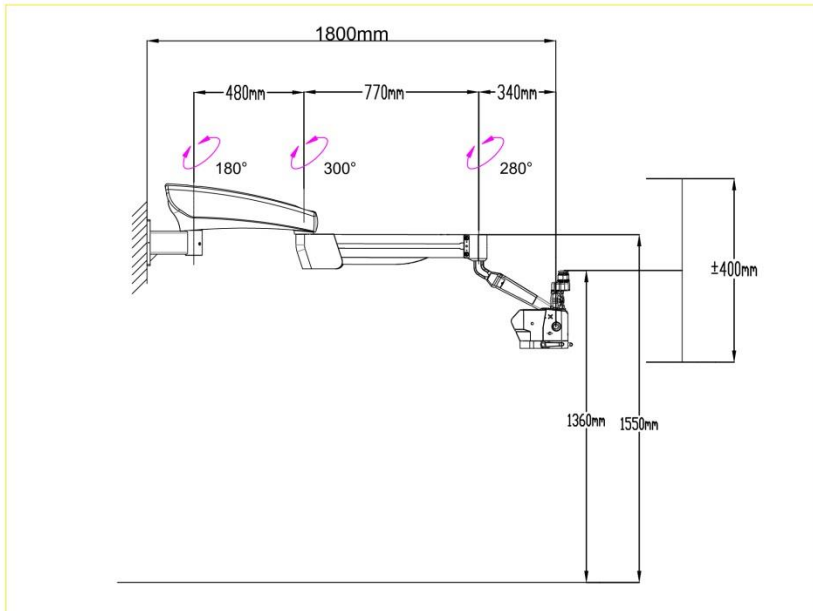
Ceiling Mount

Sanma optics designed to symbolizes quality and the clear stereoscopic vivid three dimensional view depth of focused anatomy

The perfect illumination and optics gives the clear focusing depth of microscopic view

- Fully Apo-Chromatic Optics
- Magnification Optional: Step or 1:6 ratio Zoom
- i-Focus 200mm-500mm Variable Focal lens controlled by Handgrip

Integrated Camera  
Full HD CMOS 1080



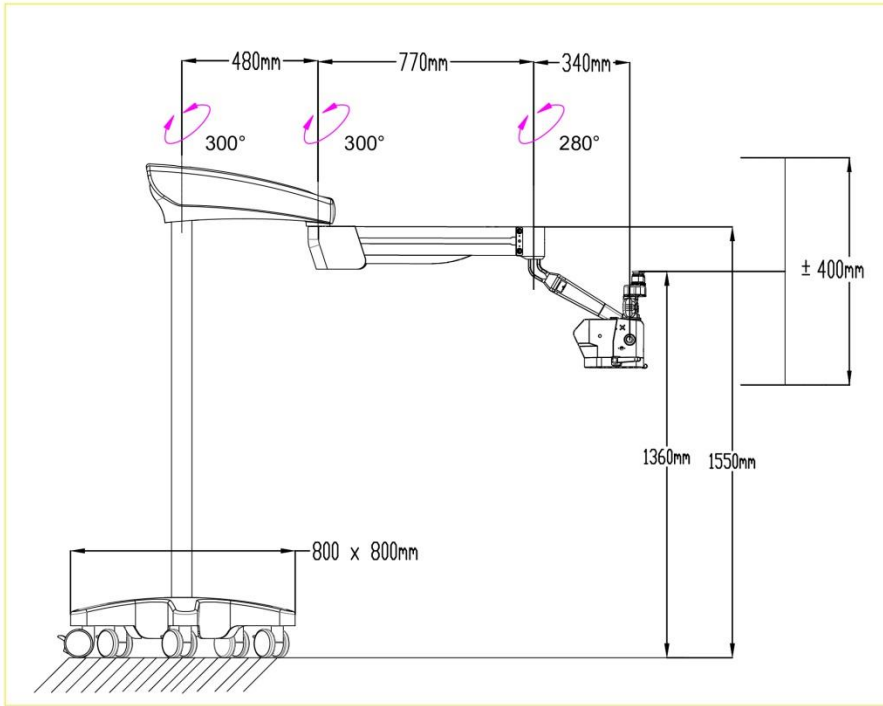
Wall Mount



Optional Binocular View Eye Piece:  
90 ° Straight binocular  
Or  
0°-210 ° Tilt able binocular



Optics	Full Apochromatic Galilean Type
Eye Piece	10 X Wide Field & High Eye Point (Option: 12.5X) (Diopter Adjustment +6 to -6) Optional: Diopter with magnetic locks and dioptre setting from -8D to +5D
Binocular Tube	90° Straight Binocular Tube (Option: 0°- 210° Tilt able Binocular Tube) (Inter Pupillary Distance: 50mm to 75mm)
Magnification	0.4X, 0.6X, 1.0X, 1.6X, 2.5X Optional: 1:6 Ratio Zoom Controlled by Motorized Handgrip. ( Optional Foot Switch )
Objective Lens	i – Focus 200- 500mm Variable Objective Lens controlled motorized Handgrip ( Optional: Foot Switch)
Optical Head Swivel	0° to 90° axially and 180° side wise
Illumination	Hi-Power LED Homogenous Co-axial shadow free Bright White Spot Light Guide: Through Fused Fiber Optic Cable Automatic lamp cut off by moving up the carrier arm Filter Options: Yellow / Blue
Camera System	Integrated Full HD 1/3 CMOS 1080p, Output: HD-SDI / HDMI, System Scanning: 1945 X 1097 Resolution 1100 TV lines
Power Supply	230v / 50-60 Hz
Weight	±120Kg



Floor Stand

Certification & Regulatory

Medical Device Directive 93/42/EEC

EMC Directive 89/336/EEC

Clinical Evaluation MEDDEV 2.7.1, Rev.04

Technical dossier as per MEDDEV 2.5.1

EN ISO 13485:2016 CB: BSI, Certificate no.: MD 667228

Surgical Operating Microscope

- ❖ ENT
- ❖ Neuro / Spine
- ❖ Ophthalmic
- ❖ Plastic & Reconstructive
- ❖ Dental

Original Equipment Manufacturer

\* Specifications & Design are subject to change without prior notice as a result of further product development