

Crisp-i, the simple Captivate
Operative Microscope From Sanma

Sanma's Optics & Easy
Maneuverability features crystal
clear microscopic view for
diagnosing and surgical

Surgical Operating Microscope
Model: Crisp-i / Lite Mag3

Ergonomic
Economic

www.sanmas.com



Technical Data – Crisp-i / Lite Mag3

Features	Crisp-i	Lite Mag3
Optics	Full Apochromatic Galilean Type	Full Apochromatic Galilean Type
Eye Piece	10 X Wide Field & High Eye Point (Option: 12.5X) (Diopter Adjustment +6 to -6)	10 X Wide Field & High Eye Point (Option: 12.5X) (Diopter Adjustment +6 to -6)
Binocular Tube	Straight Binocular Tube (Inter Pupillary Distance: 50mm to 75mm)	Straight Binocular Tube (Inter Pupillary Distance: 50mm to 75mm)
Magnification	5 Step: 0.4X, 0.6X, 1.0X, 1.6X, 2.5X	3 Step: 0.6x, 1.0x, 1.6x
Objective Lens	$f=250\text{mm}$ (Optional 200mm / 300mm / 400mm)	$f=250\text{mm}$ (Optional 200mm / 300mm / 400mm)
Optical Head Swivel	0° to 90° axially and 180° side wise	0° to 90° axially and 180° side wise
Fine Focus	Adjustable through Objective Lens	Adjustable through Objective Lens
Illumination	Homogenous Co-axial shadow free Bright White Spot	Homogenous Co-axial shadow free Bright White Spot
Light Guide	LED integrated, Day Light Color Temperature, Inbuilt UV filter	LED integrated, Day Light Color Temperature, Inbuilt UV filter
Power Supply	230v/50-60Hz 120	230v/50-60Hz 120

Model Crisp-I at skill labs / Temporal Bone Dissection Workshop



Optional Camera Attachment
Provision to Fix Endoscope Camera
with Microscope Optical Body



Ceiling Mount

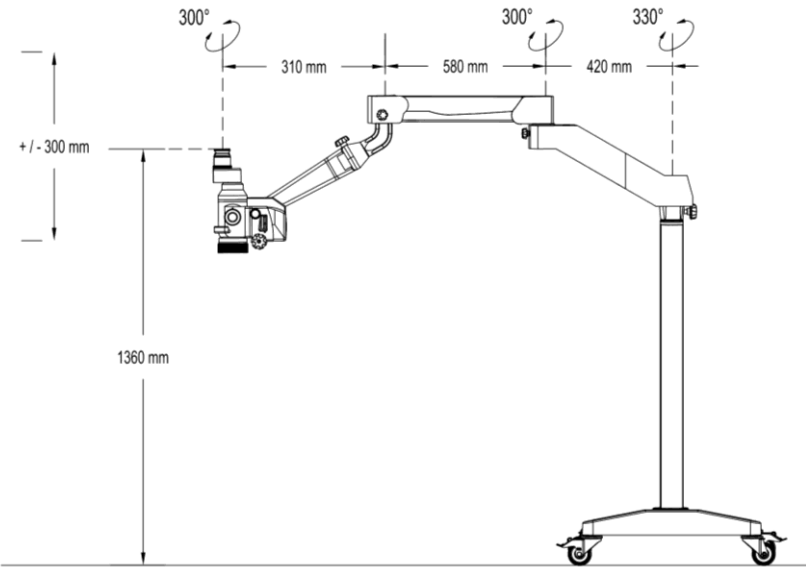
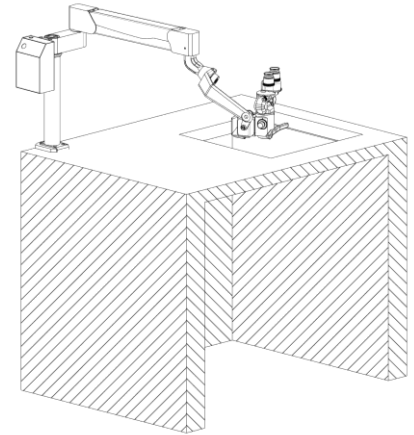
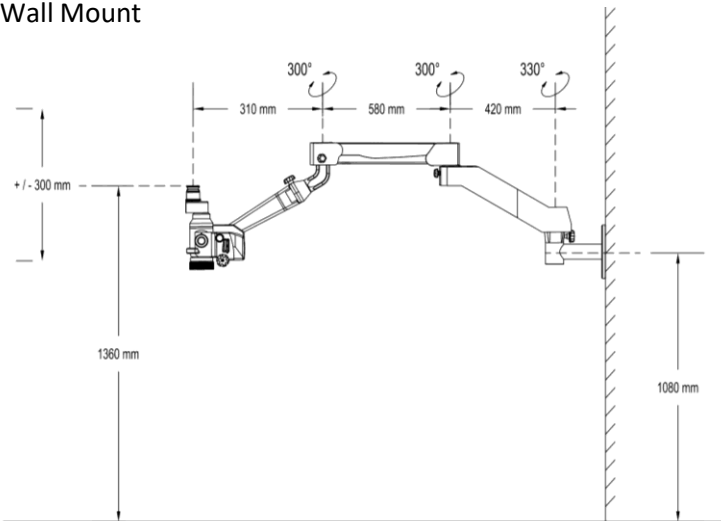


Table Mount



Wall Mount



Surgical Operating Microscope

- ❖ Neuro / Spine
- ❖ Ophthalmic
- ❖ Plastic & Reconstructive
- ❖ Andrology
- ❖ Colposcopy
- ❖ Dental

Certification & Regulatory

Medical Device Directive 93/42/EEC
 EMC Directive 89/336/EEC
 Clinical Evaluation MEDDEV 2.7.1, Rev.04
 Technical dossier as per MEDDEV 2.5.1
 EN ISO 13485:2016 CB: BSI, Certificate no.: MD 667228

Specifications & Design are subject to change without prior notice as a result of further product development

OEM / ODM / OBM

Sales: Tamil Nadu & Kerala

Sanma Medineers Vision Private Limited
 Chennai – 600080, India
 www.sanmas.com

Innovative Tech Systems
 Email: innovative.che@gmail.com
 +91 – 9942 314 567
 +91 – 9976 645 678